

# Varnasan

CONTROL VALVE TECHNOLOGIES

## MANUALLY CONTROLLED KNIFE GATE VALVE

### General Features

Model	: Varnasan BV
Working Pressure	: DN50-DN100 16bar DN125-DN200 14bar DN250-DN300 12Bar DN350-DN400 10bar
Operating Temperature	: -20°C / +130°C
Design Standard	: MSS SP-81
Flange Standard	: DIN PN10,PN16,150LB ,JIS 10K,TABLO E/D
Face to Face	: MSS SP-81
Testing Standard	: API-598
Transmission	: Manual, electric, pneumatic, hydraulic, sprocket, electro-hydraulic, gear
Main material	: WCB,F55,F53,2205,CF3M,CF8M,CF8
Wedge material	: F55, F53,2205, SS310, SS316L,SS316, SS304
Sealing material	: BR,EPDM,FKM,Metal
Packing	: High-water-based rubber packing graphite wheel

### Features

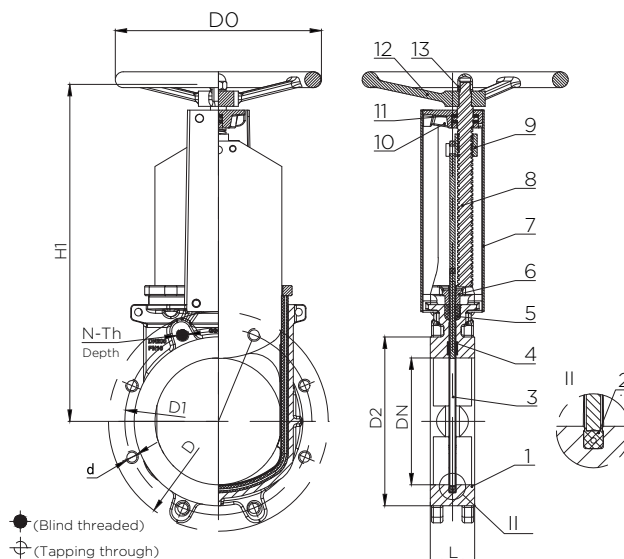
- Unidirectional sealing
- 1PC Body design
- Full port design
- Mixed with a variety of materials packing

### Application

For pulp, cement slurry, gold ore powder, coal slurry, pulp, chemical treatment of sewage, sedimentation tanks, asphalt, acid and other liquids and other media.



DN	L	D	D1	D2	D0	N-Th	d	H1
50	48	165	125	99	180	4-M16	Ø18	290
65	48	185	145	118	200	4-M16	Ø18	330
80	51	200	160	132	200	8-M16	Ø18	358
100	51	220	180	156	240	8-M16	Ø18	378
125	57	250	210	184	260	8-M16	Ø18	428
150	57	285	240	211	280	8-M20	Ø23	490
175	57	305	265	237	280	12-M20	Ø23	553
200	70	340	295	266	300	8-M20	Ø23	588
250	70	395	350	319	320	12-M20	Ø23	690
300	76	445	400	370	350	12-M20	Ø23	815





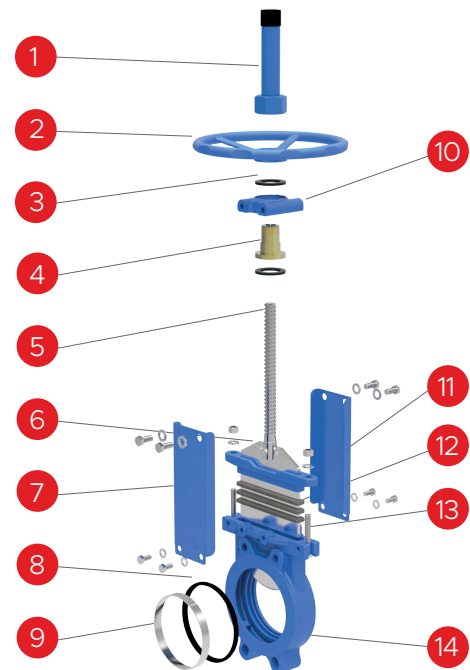
## MANUALLY CONTROLLED KNIFE GATE VALVE

### Product Description

BV Series Knife gate valve is with replaceable rubber seal knife gate structure, its sealing principle is mainly by closely connection between gate and rubber seals. Its main characters is that the rubber sealing ring is set in seat'groove and is locked by metal seat, which will prevent rubber seal off when opening and closing the valve. If the seal is broken, you can remove the metal sear and replace the rubber seal, which will greatly improve valve' working efficiency. This valve is a cost-effective, high-performance products. The series of knife gate valve can be equipped with pneumatic actuators, in order to meet the requirements of different industrial and mining use.

CODE	NAME	MATERIAL	QTY
1	HANDLE COVER	Q235+painting	1
2	HAND WHEEL	GGG40	1
3	BEARING	ZChSnSb10-6	2
4	STEM NUT	Pirinç	1
5	STEM	2Cr13/SS304/SS316	1
6	DISC	SS304/SS316/F55/2205	1
7	YOKE	Q235	1
8	SEAT	EPDM/NBR/PTFE/Metal	1
9	SEAT COVER	Q235/SS304/SS316	1
10	YOKE HEAD	GGG40	1
11	PACKING GLAND	WCB/CF8	1
12	PACKING	Aramid PRFE	3-5
13	BOLT	Fe+Zn ile Painting /SS304	N
14	BODY	WCB/GGG40/CF8/CF8M	1

\*electric, pneumatic, hydraulic, sprocket, electro-hydraulic, gear available



NO	METARIAL NO	MATERIAL DESCRIPTION
1	V-IBV-01-04WF100B-ED2	Knife Gate Valve GGG40 Ductile Iron PN16 Wafer Flanged DNI00 Gate 304SS EPDM Gasket Double Sided Sealing RAL5002 Blue
2	V-IBV-01-04WF125B-ED2	Knife Gate Valve GGG40 Ductile Iron PN16 Wafer Flanged DNI25 Gate 304SS EPDM Gasket Double Sided Sealing RAL5002 Blue
3	V-IBV-01-04WF150B-ED2	Knife Gate Valve GGG40 Ductile Iron PN16 Wafer Flanged DNI50 Gate 304SS EPDM Gasket Double Sided Sealing RAL5002 Blue
4	V-IBV-01-04WF200B-ED2	Knife Gate Valve GGG40 Ductile Iron PN16 Wafer Flanged DN200 Gate 304SS EPDM Gasket Double Sided Sealing RAL5002 Blue
5	V-IBV-01-04WF250B-ED2	Knife Gate Valve GGG40 Ductile Iron PN16 Wafer Flanged DN250 Gate 304SS EPDM Gasket Double Sided Sealed RAL5002 Blue
6	V-IBV-01-04WF300B-ED2	Knife Gate Valve GGG40 Ductile Iron PN16 Wafer Flanged DN300 Gate 304SS EPDM Gasket Double Sided Sealing RAL5002 Blue